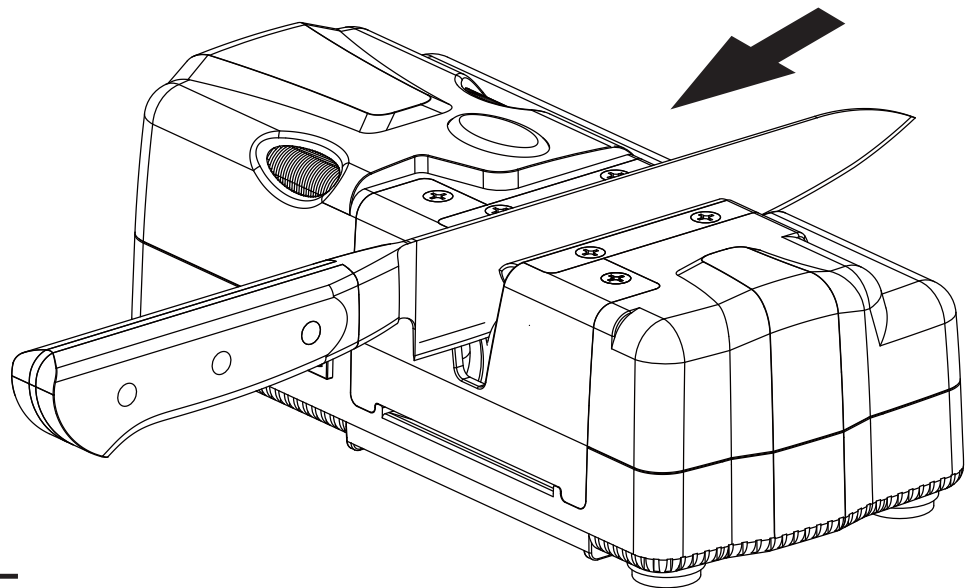




Knife Sharpener

DK-370

User Manual



VOLTAGE

110-120V/AC

220-240V/AC

READ THIS MANUAL BEFORE USING AND SAVE IT FOR
FUTURE USE

IMPORTANT SAFEGUARDS

When using electrical appliances, basic safety precautions should always be followed including the following:

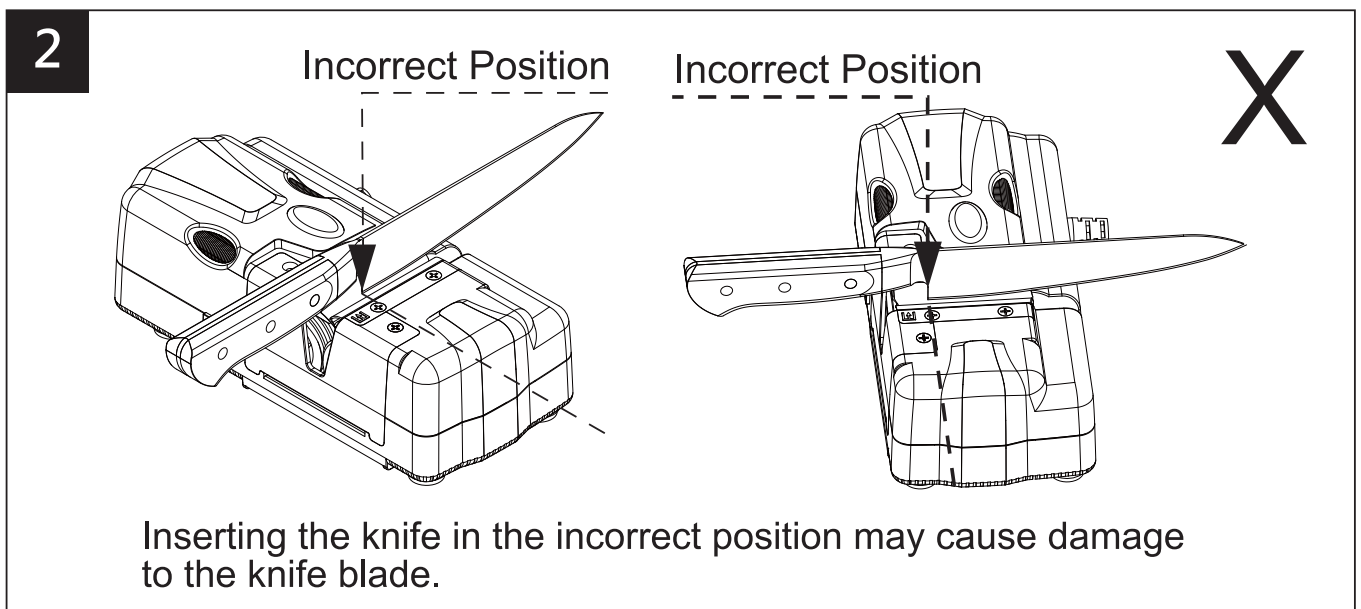
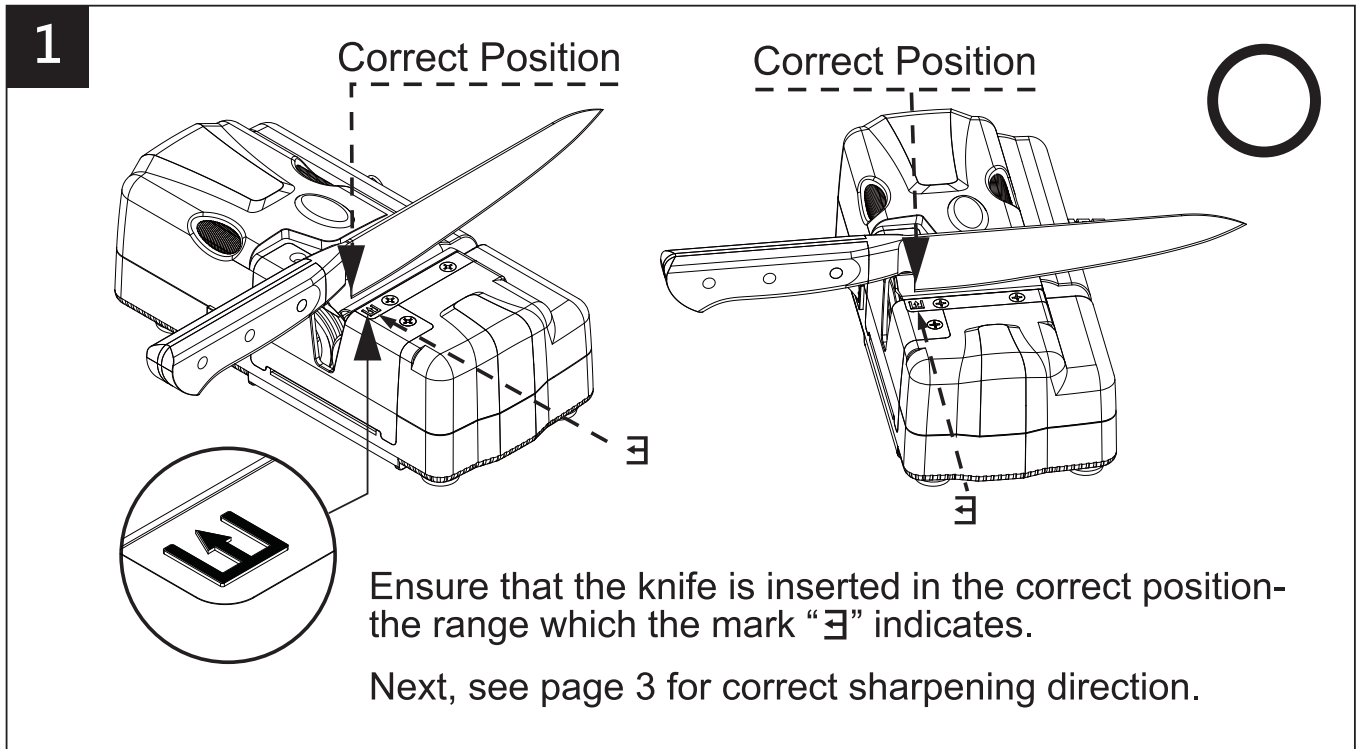
- a). Read all instructions.
- b). To protect against risk of electrical shock do not immerse cord, plugs, or portable appliances in water or other liquid.
- c). This appliance is not intended for use by children or by persons with reduced physical, sensory, or mental capabilities, or lack of experience and knowledge. Close supervision is necessary when any appliance is used near children. Children should be supervised to ensure that they do not play with the appliance.
- d). Turn the appliance OFF, then unplug from the outlet when not in use, before assembling or disassembling parts and before cleaning. To unplug, grasp the plug and pull from the outlet. Never pull from the power cord.
- e). Always switch the appliance to the "OFF" position before putting into the wall outlet. To disconnect, set the switch to the "OFF" position before removing the plug from the wall outlet.
- f). Avoid contacting moving parts.
- g). Do not operate any appliance with a damaged cord or plug or after the appliance malfunctions, or is dropped or damaged in any manner. Contact the manufacturer at their customer service email address or website for information on examination, repair, or adjustment.
- h). The use of attachments not recommended or sold by the manufacturer may cause fire, electric shock or injury.
- i). Do not use outdoors.
- j). Do not let cord hang over edge of table or counter.
- k). Do not let cord contact hot surfaces and do not place the appliance on or near a hot stove burner or in a heated oven.
- l). Do not use this appliance for other than its intended use.
- m). This appliance has polarized plug(one blade is wider than the other). To reduce the risk of electric shock, this plug will fit in a polarized outlet only one way. If the plug does not fit fully in the outlet, reverse the plug. If it still does not fit, contact a qualified electrician. Do not modify the plug in any way.
- n). Carefully route the power supply cord to avoid damage from the knife blades while sharpening.
- o). Household Use Only.

SAVE THESE INSTRUCTIONS

NIREY MANUFACTURER CO., LTD
<http://www.nirey.com.tw>
E-Mail: nirey.taiwan@msa.hinet.net

CORRECT POSITION FOR KNIFE INSERTION

Start with the knife inserted in the correct position by following Fig 1. Inserting the knife in an incorrect position may cause damage to the knife blade during operation.



Cautions:

1. Before using this sharpener, ensure that your knife is DRY and CLEAN. Remove any water or oil on the blade.
2. Do not sharpen single bevel knives, sashimi knives, or serrated knives.
3. Kitchen knives with a knife spine thickness within 5mm and a knife edge thickness within 2.6mm are recommended.

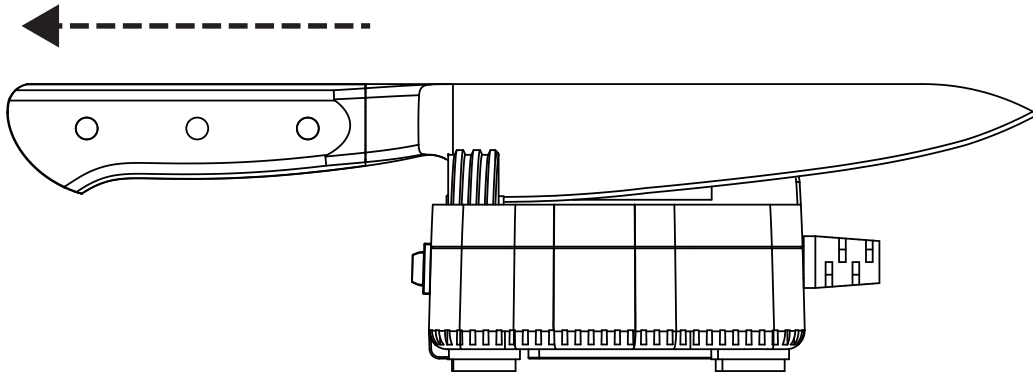
CORRECT SHARPENING DIRECTION

Insert the knife in the slot correctly(Fig.1). Keep the knife horizontal to the knife sharpener and pull the knife towards you(Fig.3). Slightly raise the knife handle to sharpen the knife tip(Fig.4).

Repeat this process 2-3 times or 5-6 times(depending on how blunt the knives are).

3

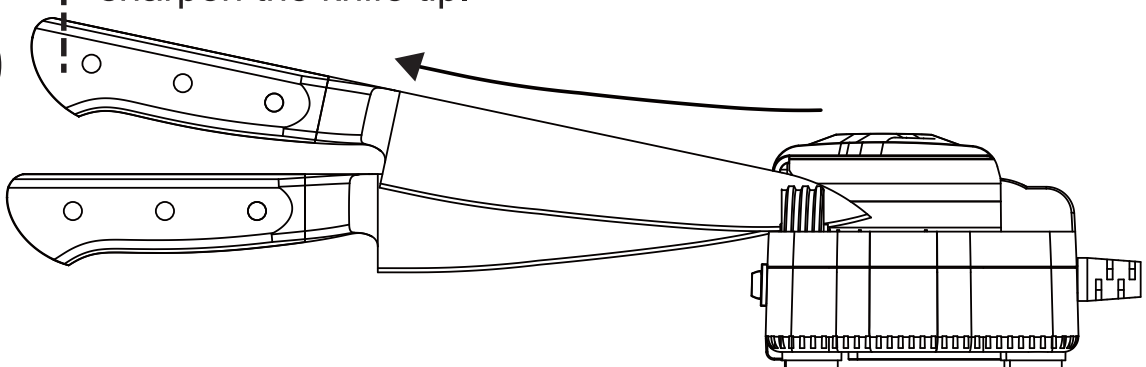
Sharpening Direction



Keep the knife horizontal to the knife sharpener

4

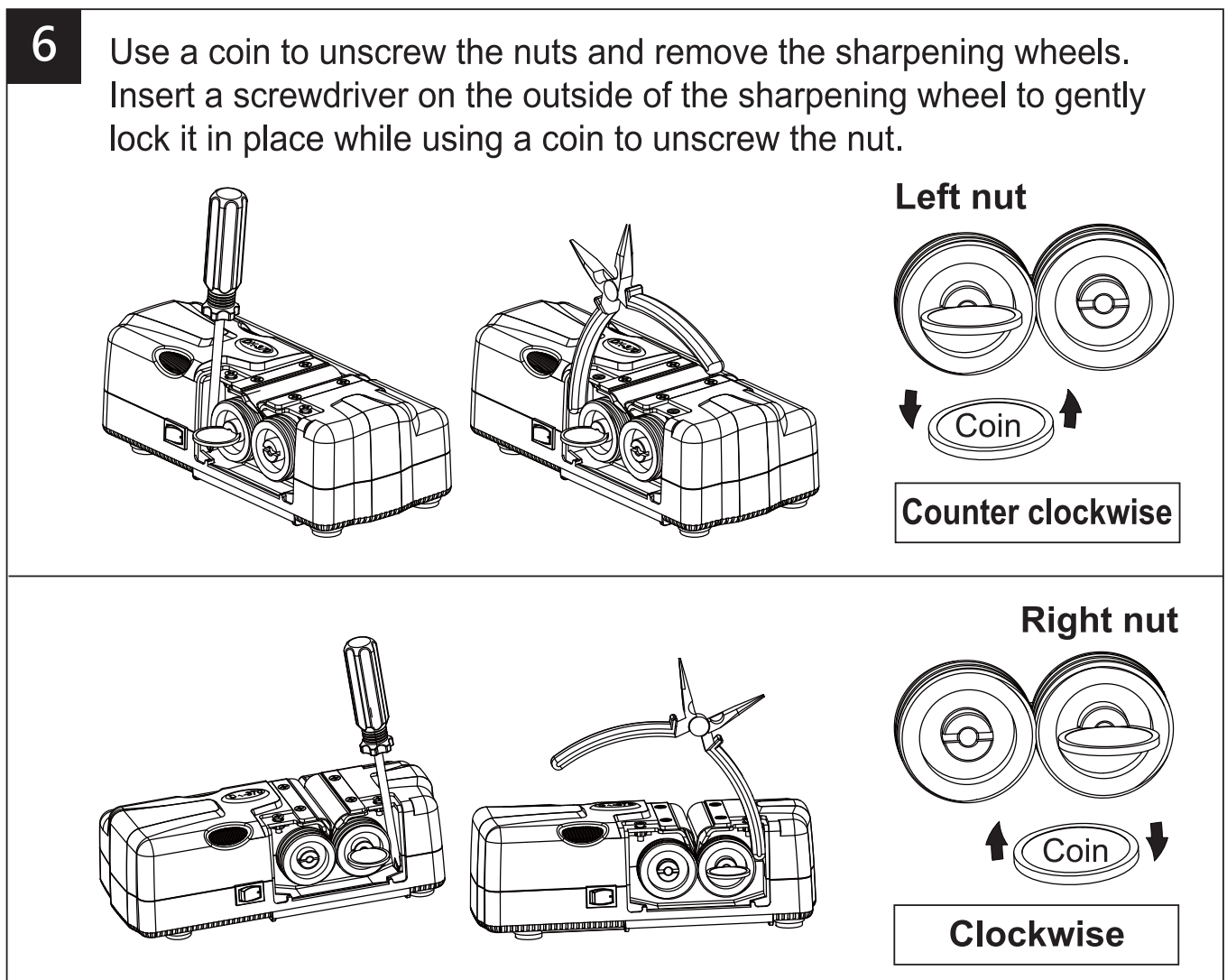
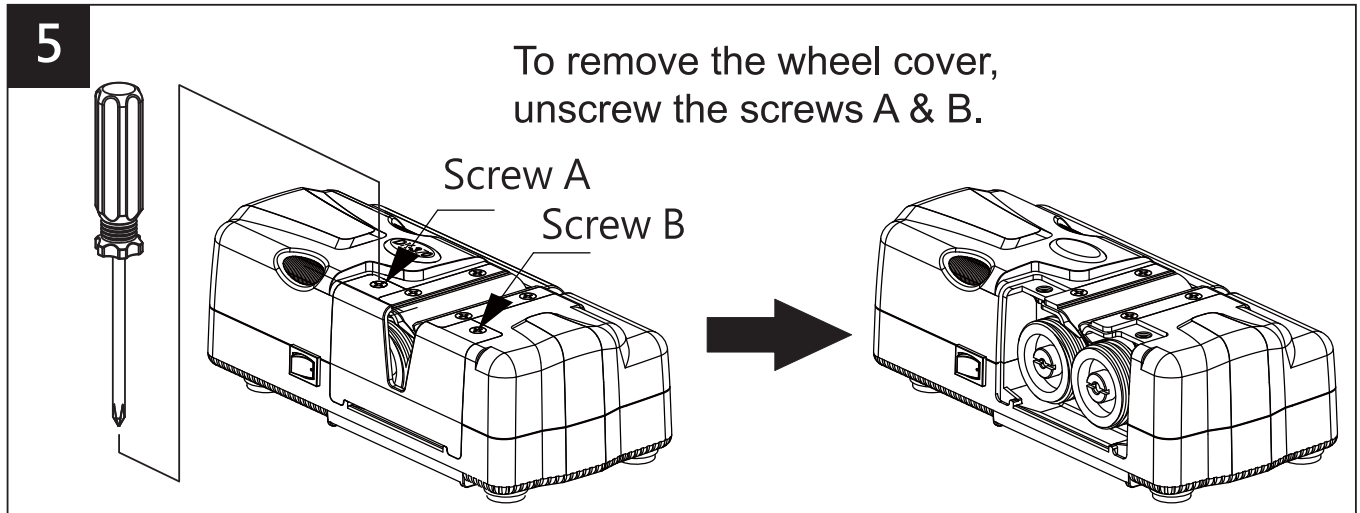
▲ Slightly raise the knife handle to sharpen the knife tip.



REMOVE THE SHARPENING WHEEL

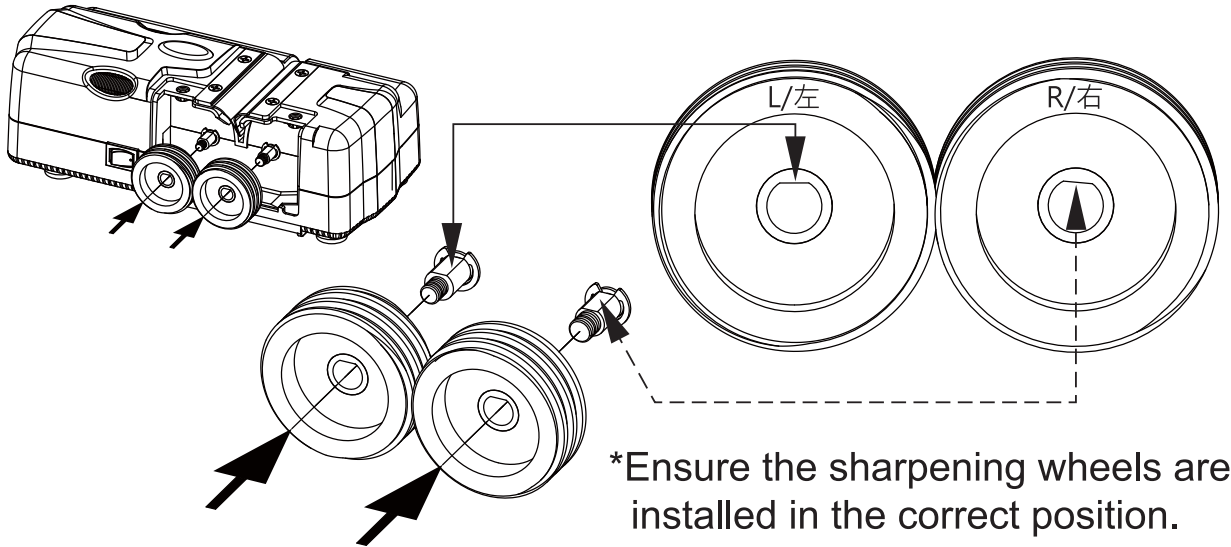
To replace the sharpening wheels, see figures 5-9 for removing/installing the wheels.

WARNING - RISK OF INJURY, UNPLUG BEFORE REMOVE THE WHEEL COVER.

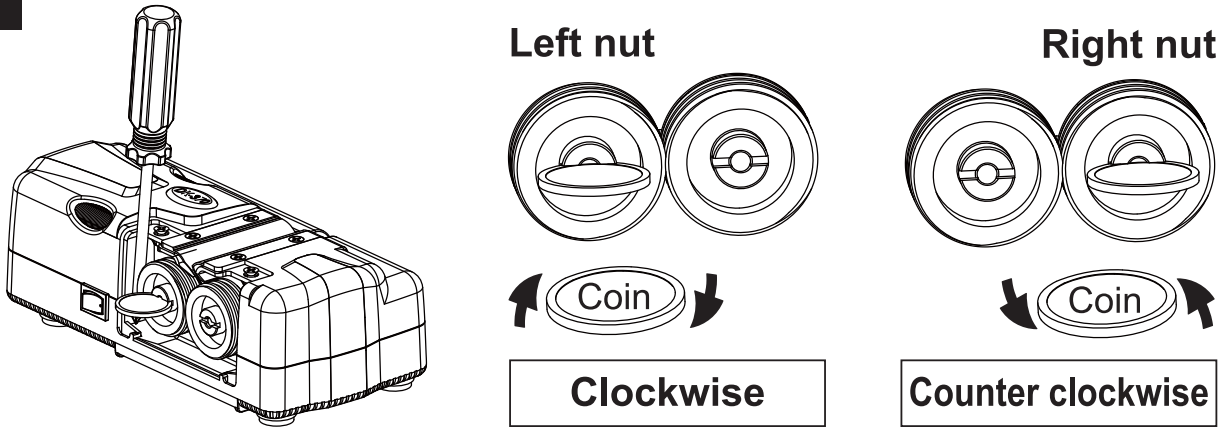


INSTALL THE SHARPENING WHEEL

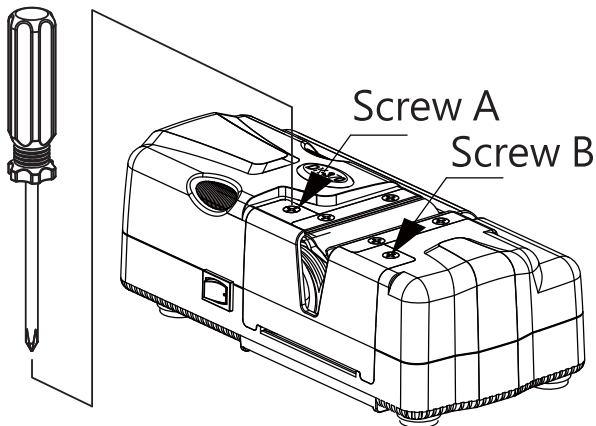
7



8



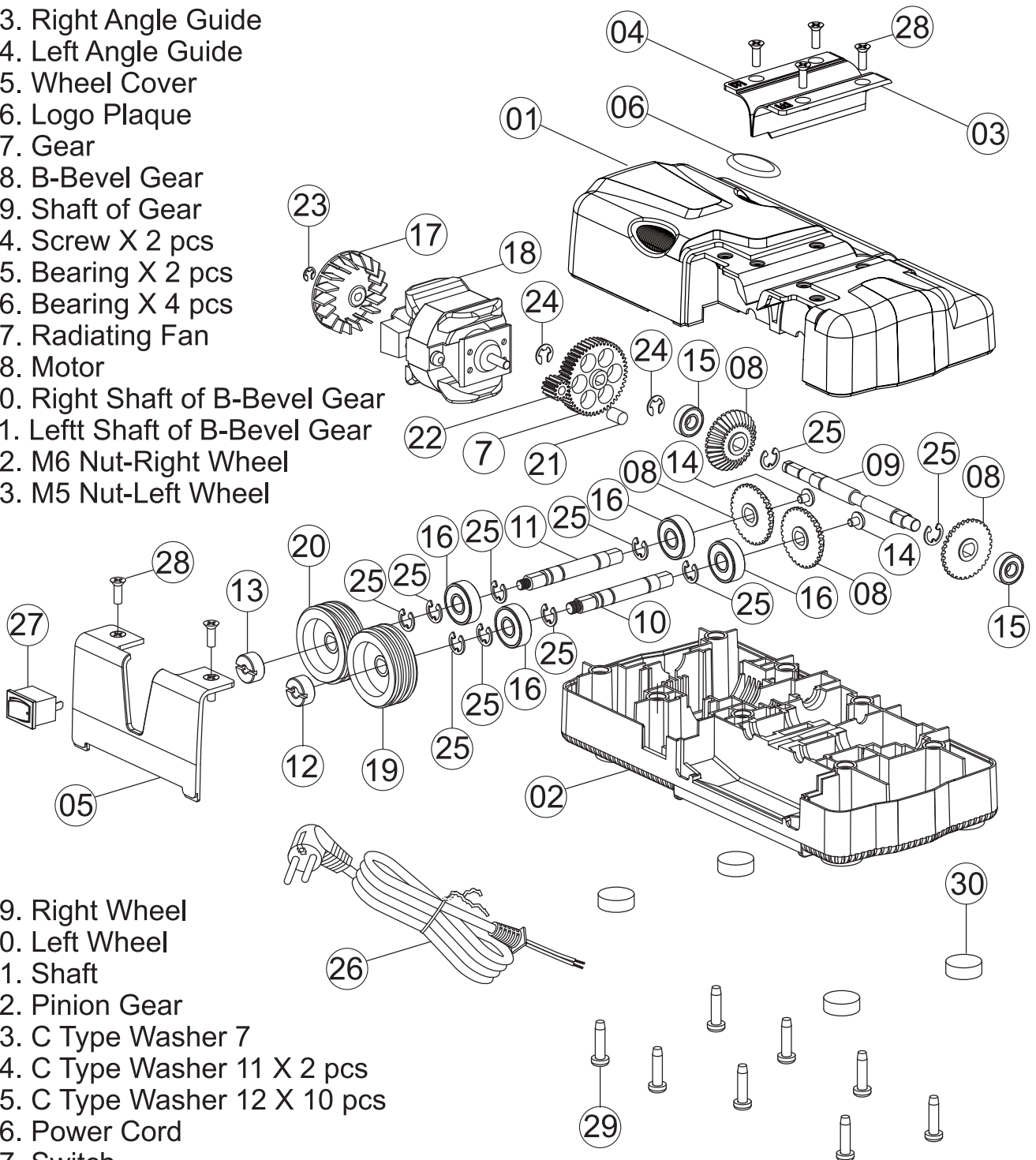
9



Install the wheel cover and screws A/B.

DK-370 PART LIST

- 01. Body
- 02. Base
- 03. Right Angle Guide
- 04. Left Angle Guide
- 05. Wheel Cover
- 06. Logo Plaque
- 07. Gear
- 08. B-Bevel Gear
- 09. Shaft of Gear
- 14. Screw X 2 pcs
- 15. Bearing X 2 pcs
- 16. Bearing X 4 pcs
- 17. Radiating Fan
- 18. Motor
- 10. Right Shaft of B-Bevel Gear
- 11. Leftt Shaft of B-Bevel Gear
- 12. M6 Nut-Right Wheel
- 13. M5 Nut-Left Wheel



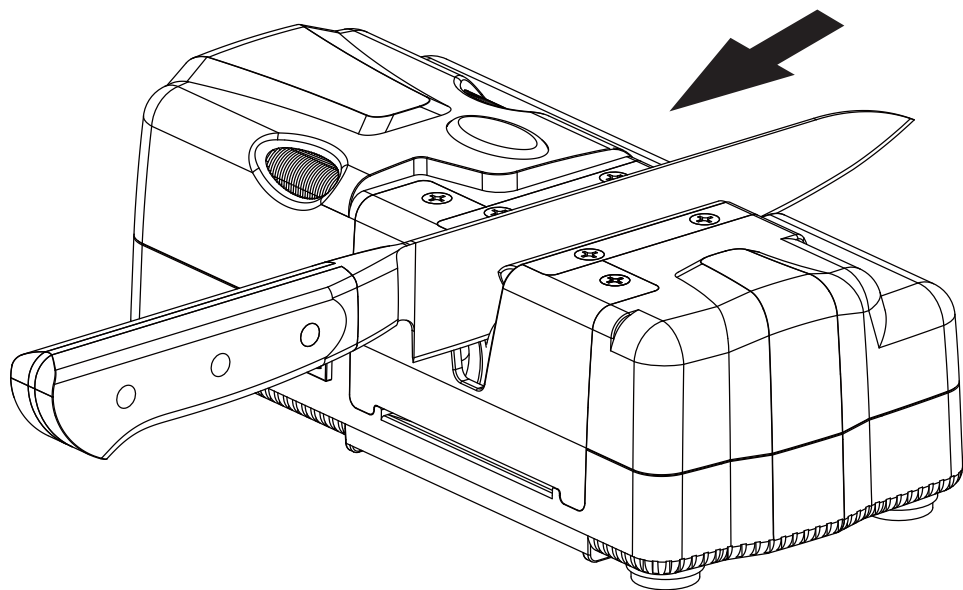
- 19. Right Wheel
- 20. Left Wheel
- 21. Shaft
- 22. Pinion Gear
- 23. C Type Washer 7
- 24. C Type Washer 11 X 2 pcs
- 25. C Type Washer 12 X 10 pcs
- 26. Power Cord
- 27. Switch
- 28. Screw 4mmx10 x 6 pcs
- 29. Screw 5mmx20 x 8 pcs
- 30. Rubber Feet X 4 pcs



耐銳電動磨刀機

DK-370

使用說明書



本機電壓

110-120V/AC, 50-60Hz

220-240V/AC, 50-60Hz

感謝您選擇耐銳電動磨刀機。使用前，請先詳閱使用說明書，以確保正確使用本磨刀機以及達到最佳研磨效果。說明書請妥善保存，以備日後查閱。

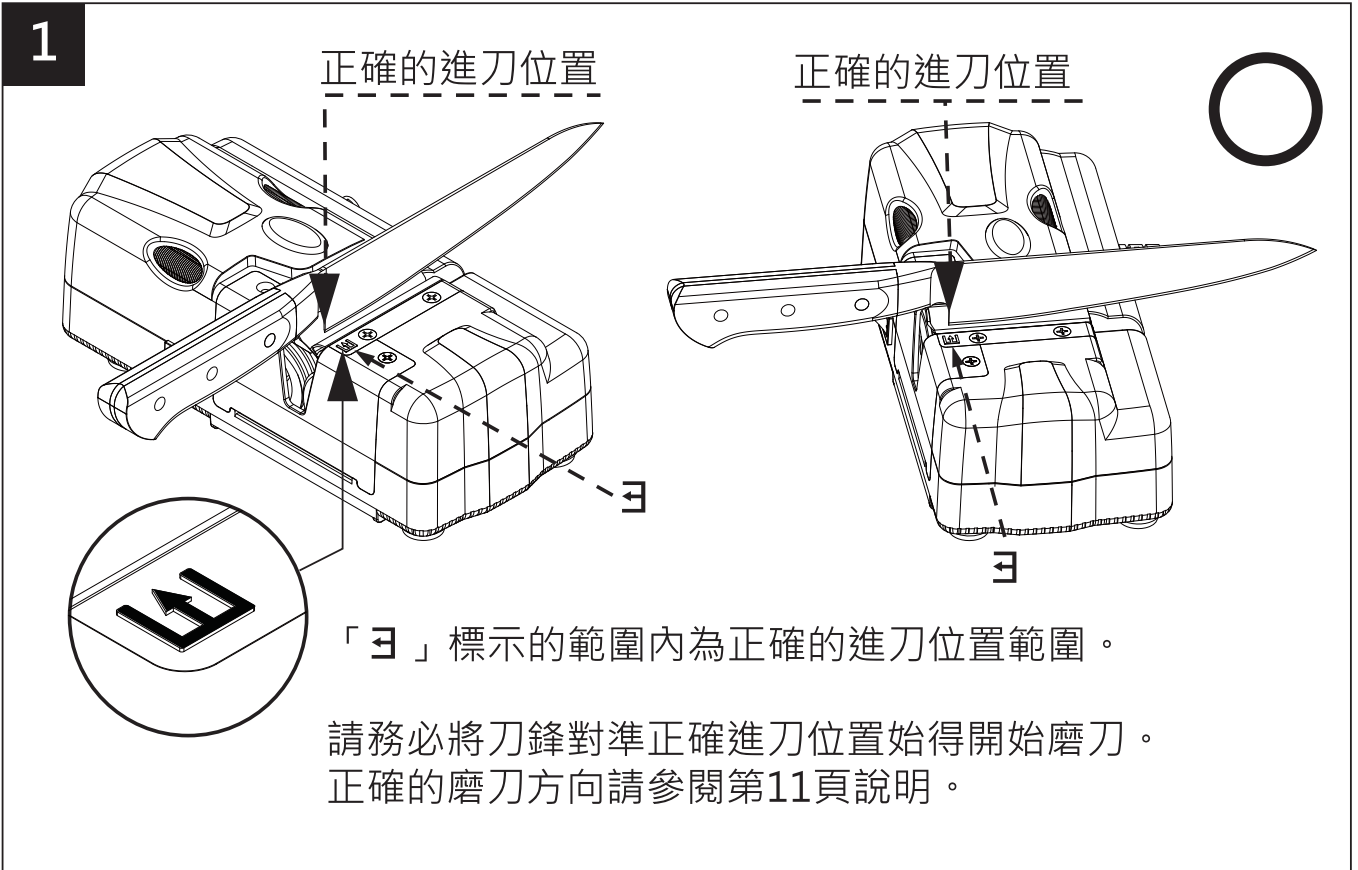
注意事項

使用本電器產品前，請詳閱以下注意事項。

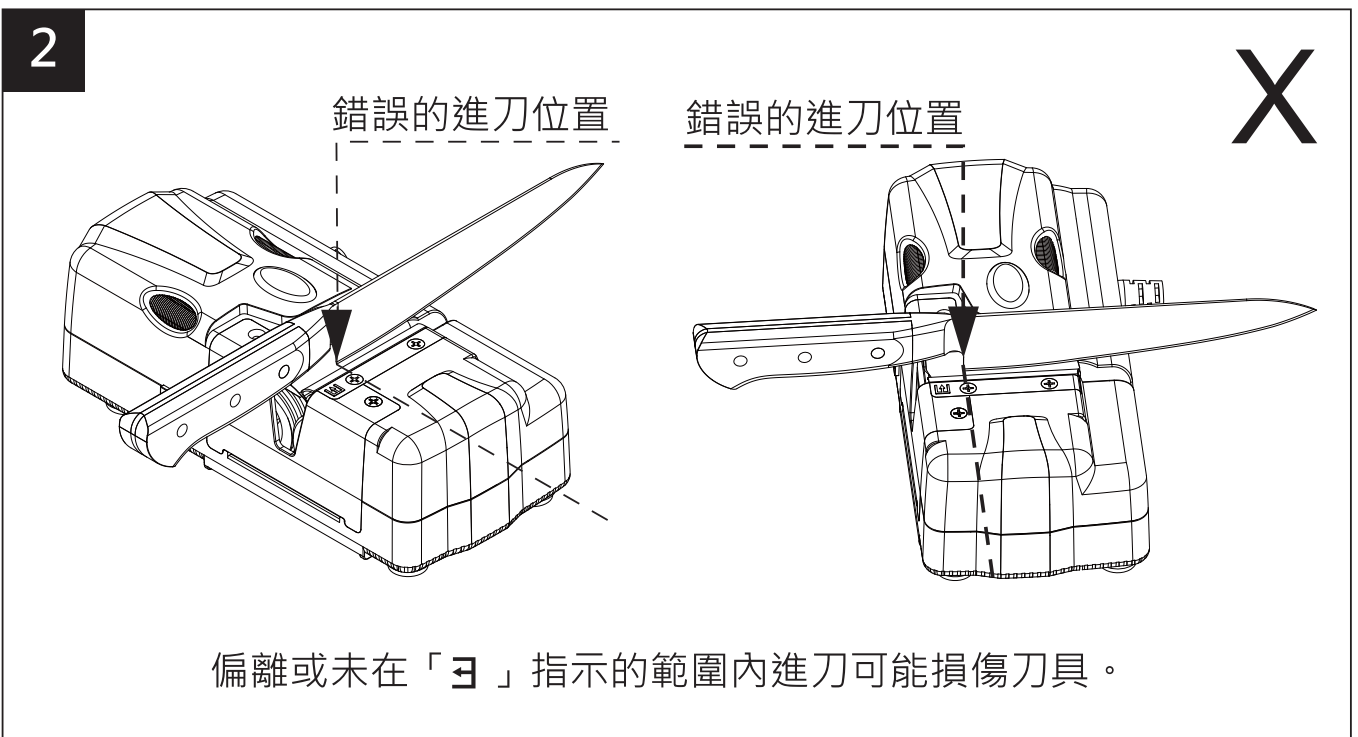
- 為避免觸電危險，請勿將本產品包括電源線、插頭接觸任何水源或液體。
- 為避免火災、爆炸等情形，請勿於可燃性或腐蝕性氣體環境進行操作。
- 請勿自行拆解機器。電源線毀損、插頭毀損、機器異常或有異味，請立即關閉電源，停止使用。向經銷商聯絡或送至消費者服務中心進行檢查維修。
- 使用完畢、更換零件及清潔保養時，請關閉電源並將插頭從插座移除。
- 避免孩童接觸機器，禁止孩童使用磨刀機。
- 磨刀過程，應避免讓磨刀機過度負載的操作，且勿重壓磨刀輪，減少對馬達造成損害。
- 請勿在欲研磨的刀具刀鋒上加油和水。
- 使用磨刀機前，請先將刀刃上的水珠或油汙擦拭乾淨，避免油汙附著於磨刀輪上，降低磨刀輪使用壽命。
- 每一把刀鈍的程度不同，第一次使用本磨刀機研磨，會先針對刀口的角度進行修飾，再完成磨利。故需要較多研磨次數完成磨利，屬正常現象。
- 本磨刀機同時研磨兩邊刀鋒，請勿研磨單邊刀刃的刀具如生魚片刀、齒型刀具如麵包刀。
- 一般雙刀刃廚房刀具，刀背厚度5mm、刀鋒刀刃厚度2.6mm以內，均可使用本磨刀機研磨。

注意正確開始磨刀之進刀位置

進刀時請務必將刀鋒對準圖1「ㄟ」標示的正確進刀位置範圍。進刀位置偏離或未在「ㄟ」範圍內可能損傷刀具。



中
文



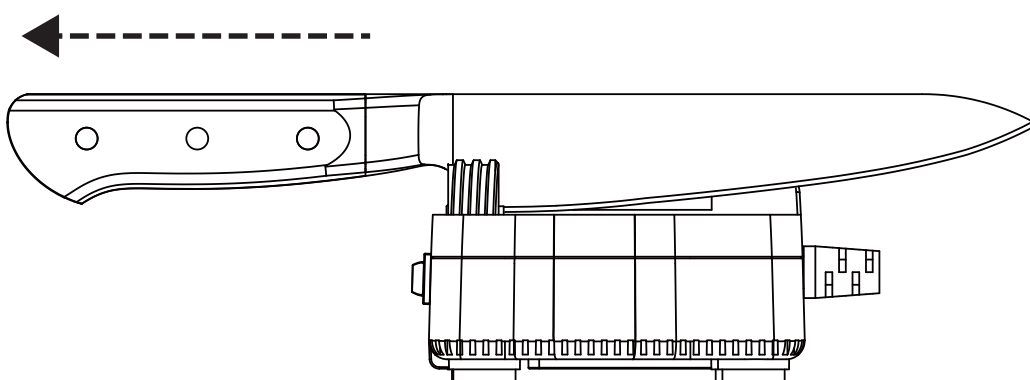
正確磨刀方向

依照前述「正確進刀位置」，將刀鋒末端對準進刀範圍後，刀具保持與磨刀機水平。再依照圖3正確磨刀方向進行研磨。磨至刀尖處需將刀柄微微提高，如圖4所示。

重複2至3次或5至6次(視刀鈍的程度)，即可恢復刀鋒利度。

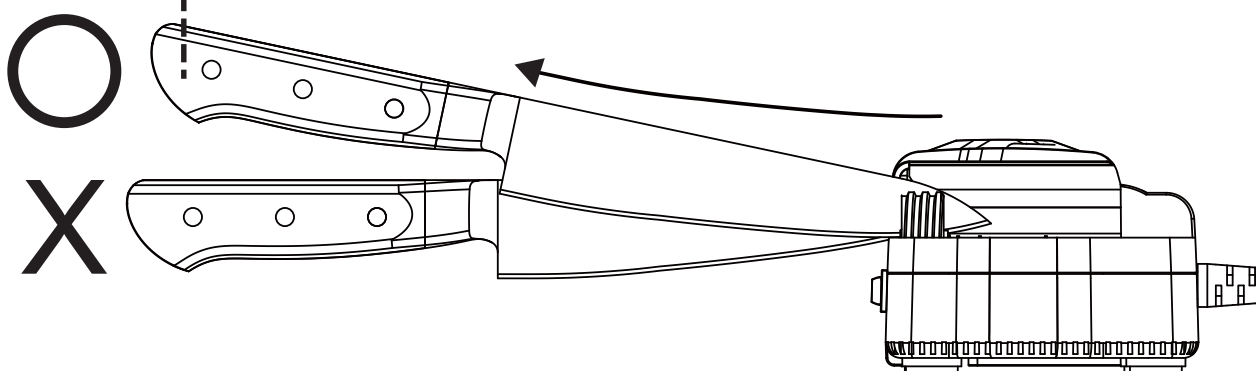
3

正確磨刀方向，刀具保持與磨刀機水平。



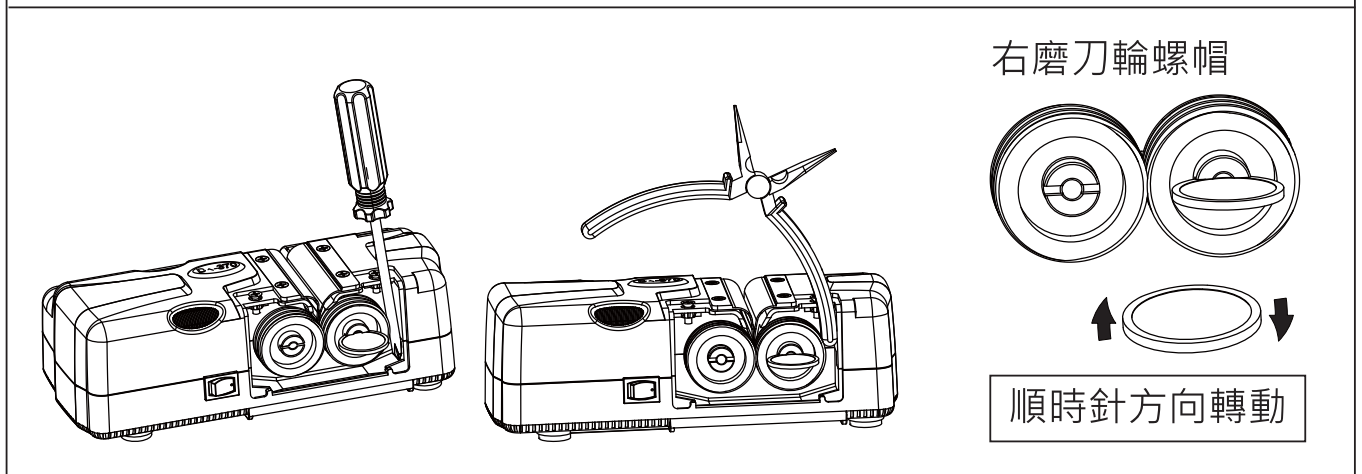
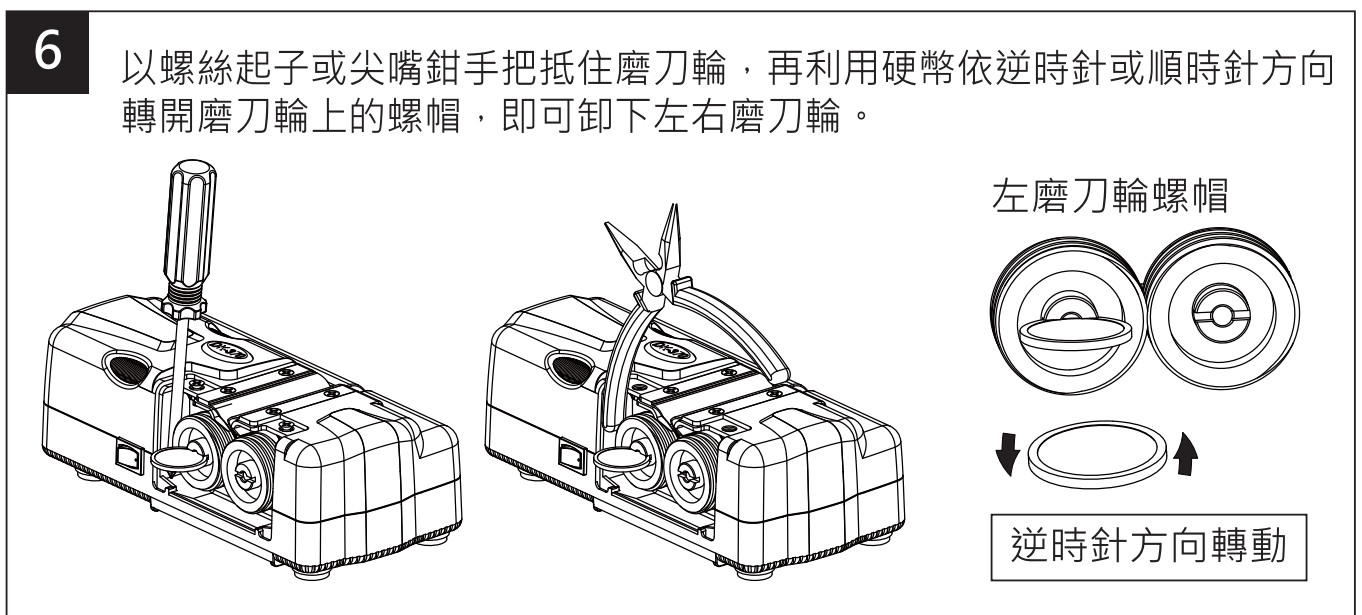
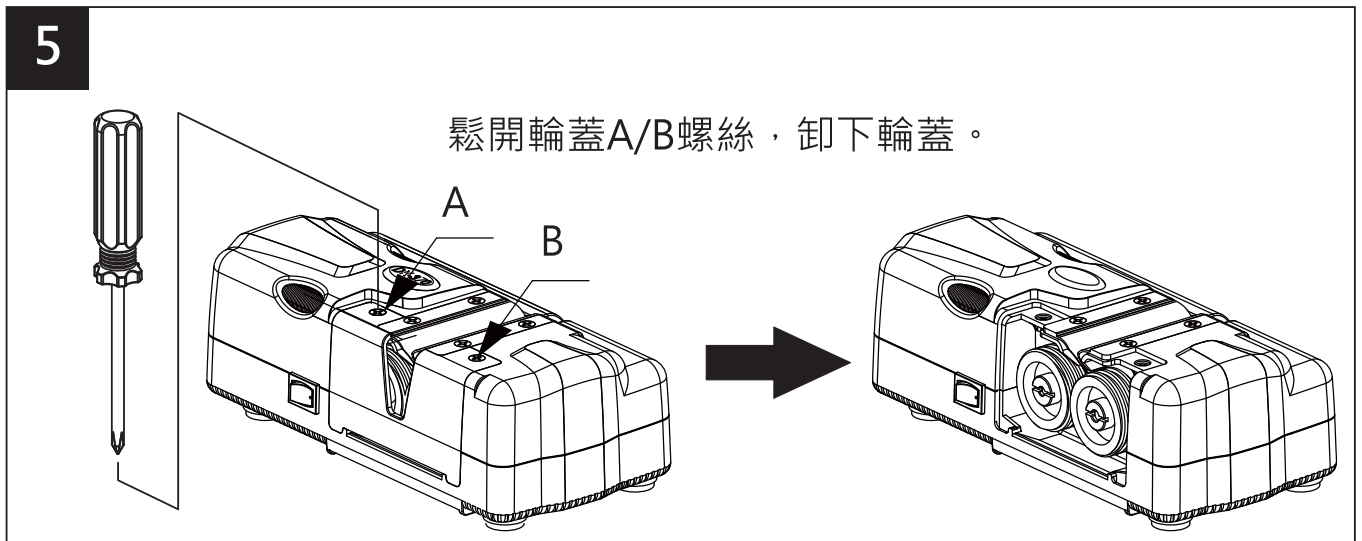
4

研磨刀尖處，需將刀柄微微提高。

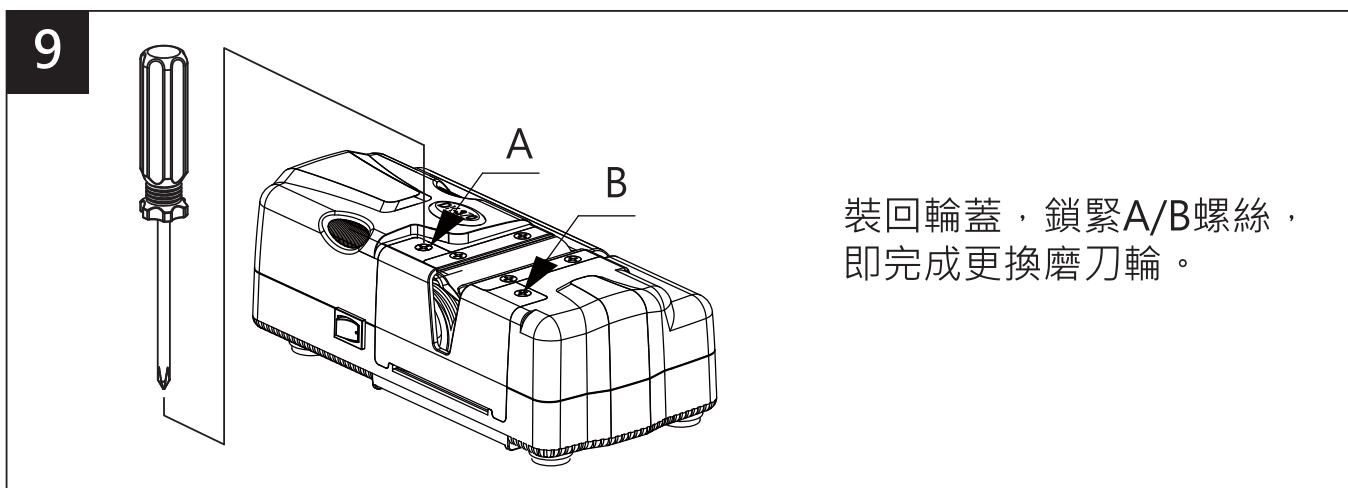
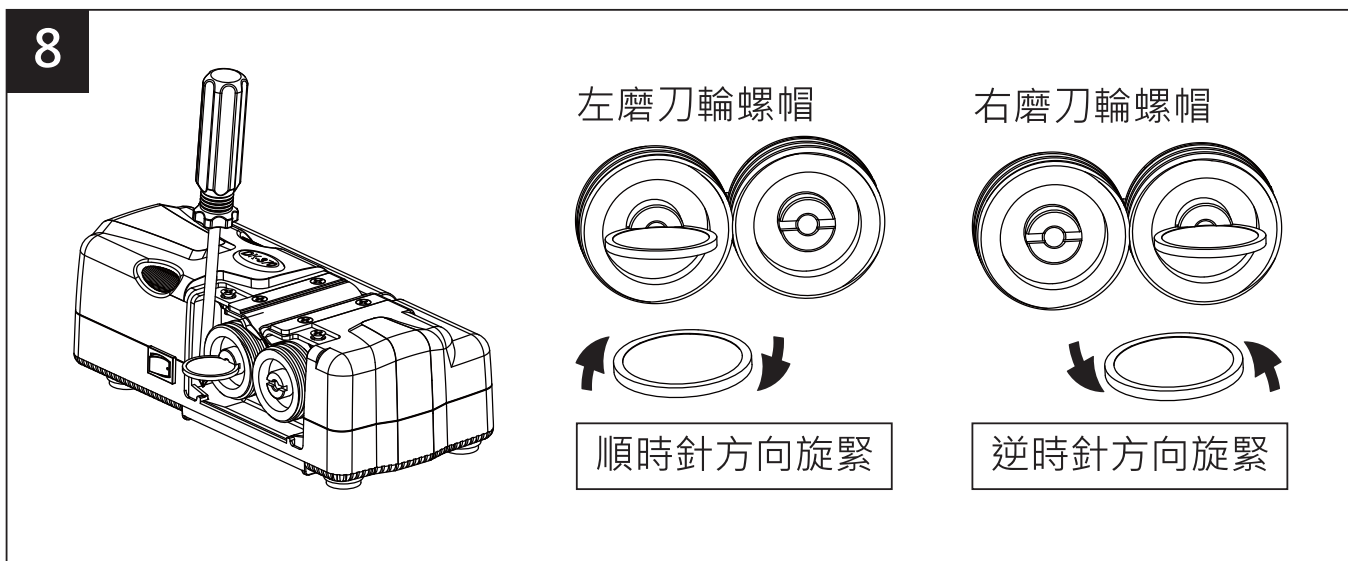
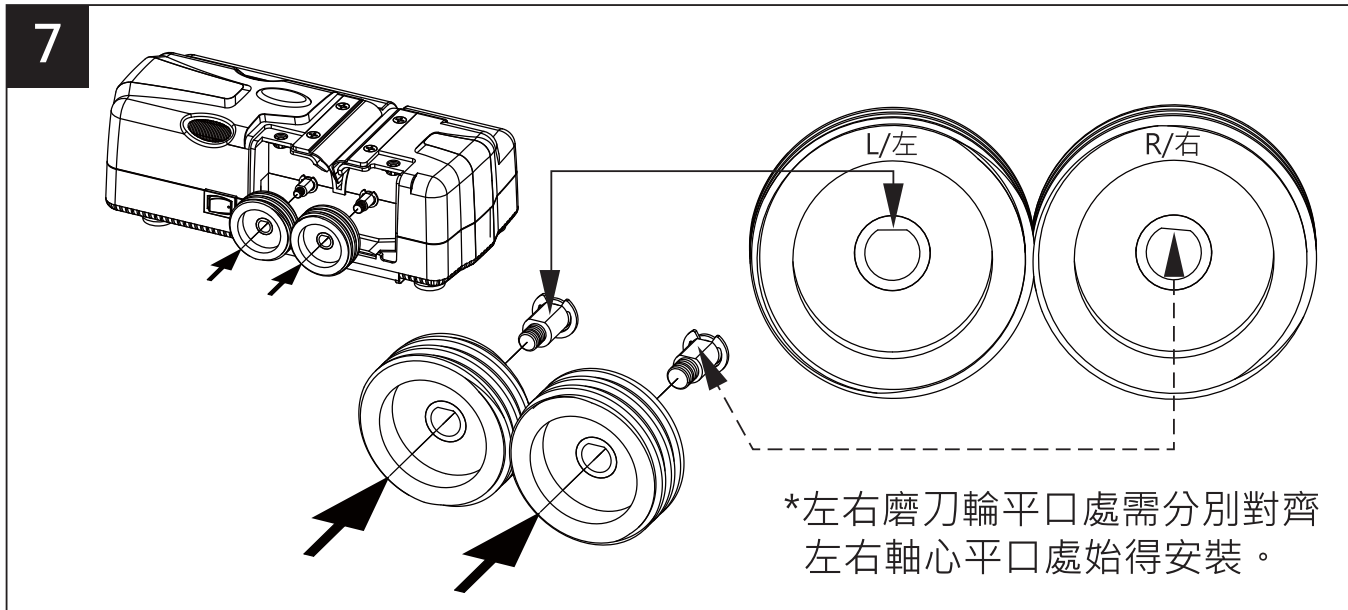


更換磨刀輪1-拆卸

當原有磨刀輪不敷使用，請參照以下圖5至圖9更換磨刀輪。

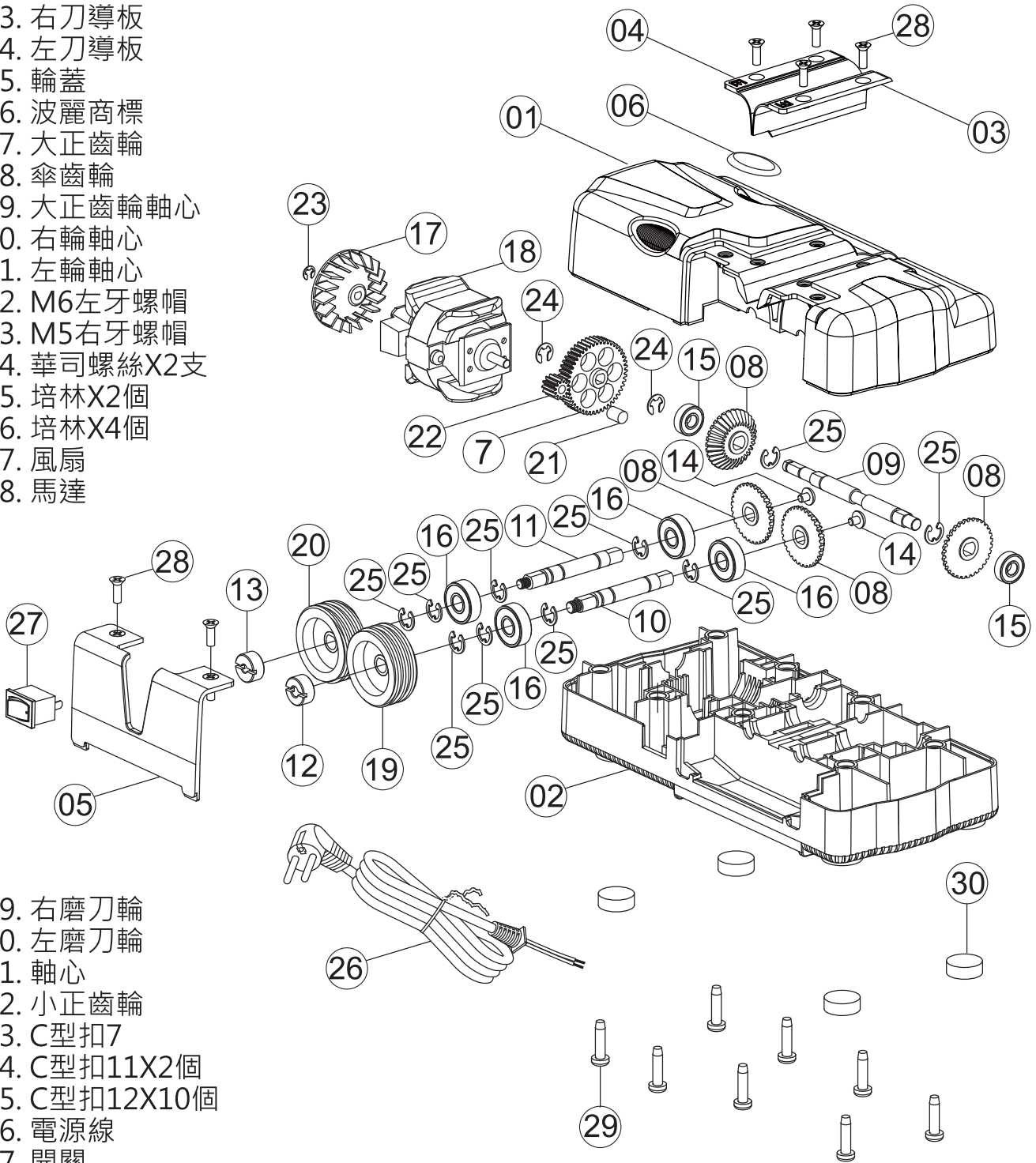


更換磨刀輪2-安裝



DK-370分解圖

01. 本體
02. 底座
03. 右刀導板
04. 左刀導板
05. 輪蓋
06. 波麗商標
07. 大正齒輪
08. 傘齒輪
09. 大正齒輪軸心
10. 右輪軸心
11. 左輪軸心
12. M6左牙螺帽
13. M5右牙螺帽
14. 華司螺絲X2支
15. 培林X2個
16. 培林X4個
17. 風扇
18. 馬達



19. 右磨刀輪
20. 左磨刀輪
21. 軸心
22. 小正齒輪
23. C型扣7
24. C型扣11X2個
25. C型扣12X10個
26. 電源線
27. 開關
28. 4mmX10X6支
29. 5mmX20X8支
30. 腳墊X4個

中
文



Nirey Manufacturer Co.,Ltd
Email: nirey.taiwan@msa.hinet.net
www.nirey.com.tw

台灣消費者服務電話：04-24259000/0800-429868